

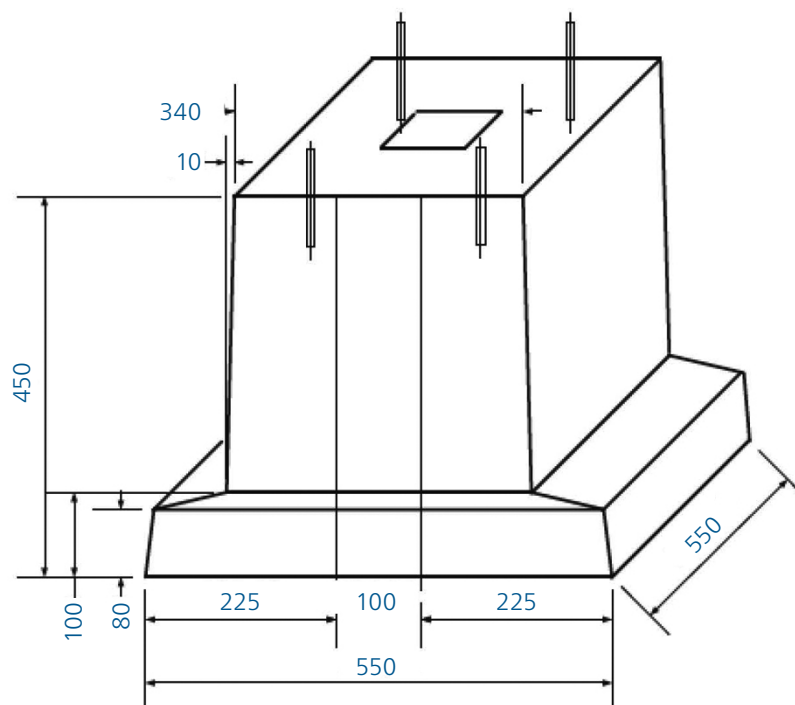
# Concrete foundation

## Technical Data Sheet

The concrete foundation is the basis for the assembly of the eStation, ePoleDuo and the pillars for eBoxes.

### Technical Data

Modell name:	ePoleDuo Concrete foundation
Weight:	approx. 100 kg
Dimensions:	in mm

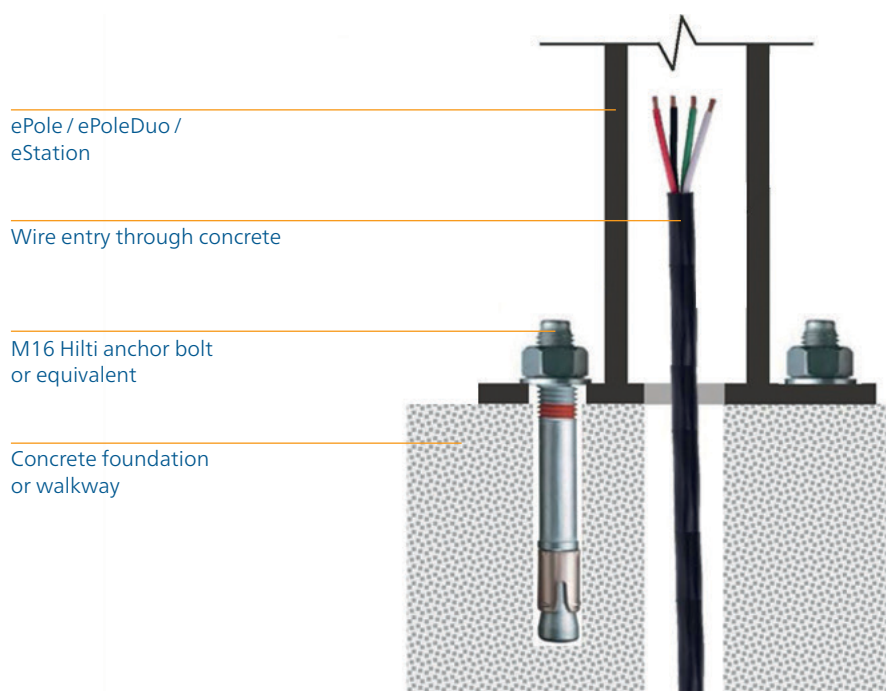


# Concrete foundation

## Technical Data Sheet

### Installation of the ePole, ePoleDuo, or eStation to an existing concrete foundation or walkway.

The ePole, ePoleDuo, or eStation can be mounted to an existing concrete foundation by using anchor bolts mounted into the concrete. Wiring for grid connection must come through the concrete foundation and enter the mounting system from below. We suggest a Hilti HST M16X215/100 or equivalent.



- » Create the hole pattern for the mounting system selected. Please refer to the installation manual of the product.
- » Follow the installation instructions for the anchor bolt chosen.
- » Bore hole through the concrete for the cable entry into the mounting system.
- » Mount and assemble the system selected to the installation instructions.